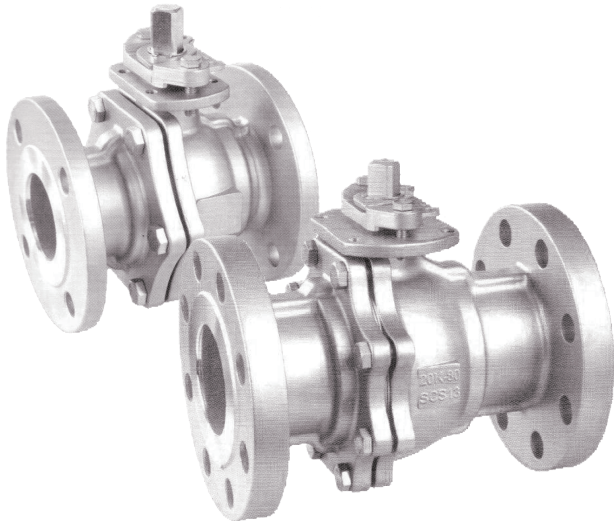




PRODUCT/ MANUAL VALVE

FBV series Manual Flange ball valve (ANSI Standard)



Specifications Characteristics

Model	FBV series
Medium Temp.	-20°C - 150°C (200°C)
ENV Temp.	Temp. -10 - 55°C ; Humidity. 10 - 90% RH
Pressure	0 - 1.0 Mpa (0 - 2.0 Mpa)
Valve body Mat.	Stainless steel 304 (316)
Stem Material	Stainless steel
Gasket Material	PTFE
Packing Material	PTFE
Gland Material	SCS13
Flange spec.	150LB (300LB) / ANSI B16.5 Standard

How to select model

FBV - 50 S A



Diameter	DN	Code	Diameter	DN	Code	Spec.	Code	Spec.	Code
1/2"	15	15	6"	150	150	SUS304		150LB	A
3/4"	20	20	8"	200	200	SUS316	S	300LB	2A
1"	25	25	10"	250	250				
1-1/4"	32	32	12"	300	300				
1-1/2"	40	40							
2"	50	50							
2-1/2"	65	65							
3"	80	80							
4"	100	100							
5"	125	125							

Spec.	Code
TFM4215	X

* ANSI 300LB is not available for 1-1/4 inch, 10 inch and 12 inch.

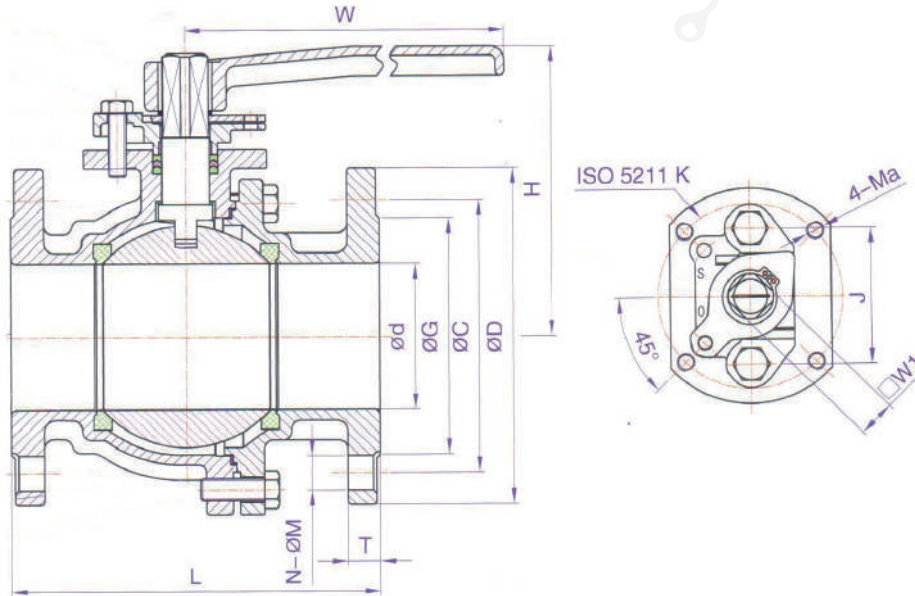


TXMC



PRODUCT/ MANUAL VALVE

Dimensions (150LB)



Diameter	d	D	C	G	T	N-ØM	L	H	W	W1	J	ISO 5211	K	Ma
1/2"	15	89	60.5	95	12.1	4-Ø16	108	70	160	12	50	F04	42	M5
3/4"	15	98	70	43	12.1	4-Ø16	117	73	160	12	50	F04	42	M5
1"	15	108	79.5	51	12.1	4-Ø16	127	77	160	12	50	F05	50	M6
1-1/4"	32	117	89.5	64	12.7	4-Ø16	140	85	160	12	50	F05	50	M6
1-1/2"	32	127	98.5	73	14.3	4-Ø16	165	104	186	17	62	F07	70	M8
2"	50	152	120.5	92	15.9	4-Ø19	178	114	186	17	62	F07	70	M8
2-1/2"	65	178	139.5	105	17.5	4-Ø19	190	142	324	21	75	F07	70	M8
3"	80	190	152.5	127	19.1	4-Ø19	203	153	324	21	75	F10	102	M10
4"	100	229	190.5	157	23.9	4-Ø19	229	166	324	21	75	F10	102	M10
5"	100	254	216	186	23.9	8-Ø22	356	224	750	24	89	F12	125	M12
6"	150	279	241.5	216	25.4	8-Ø22	394	247	750	24	89	F12	125	M12
8"	200	343	298.5	270	28.6	8-Ø22	457	305	1000	32	100	F12	125	M12
10"	250	406	362	324	30.2	12-Ø25	533	305	1000	32	100	F14	140	M16
12"	300	483	432	381	31.8	12-Ø25	610	327	1000	32	100	F14	140	M16

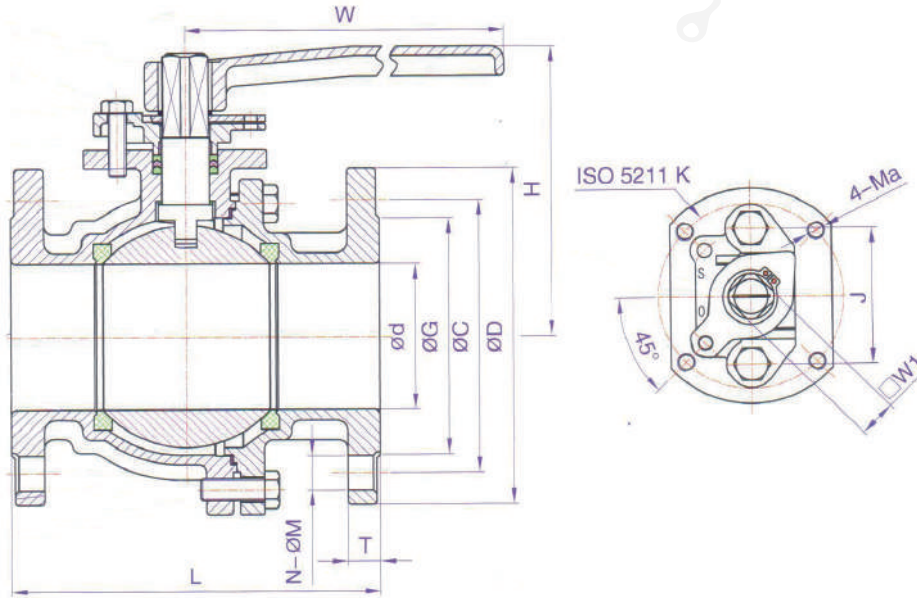


TXMC



PRODUCT/ MANUAL VALVE

Dimensions (300LB)



Diameter	d	D	C	G	T	N-ØM	L	H	W	W1	J	ISO 5211	K	Ma
1/2"	15	95	66.5	35	14.3	4-Ø16	140	72	160	12	50	F04	42	M5
3/4"	15	117	82.5	43	15.9	4-Ø19	152	74	160	12	50	F04	42	M5
1"	15	124	89	51	17.5	4-Ø19	165	82	160	12	50	F05	50	M6
1-1/2"	40	156	114.5	73	20.7	4-Ø22	190	104	186	17	62	F07	70	M6
2"	50	165	127	92	22.3	8-Ø19	216	114	186	17	62	F07	70	M8
2-1/2"	65	190	149	105	25.4	8-Ø22	241	142	324	21	75	F07	70	M8
3"	80	210	168	127	28.6	8-Ø22	283	155	324	21	75	F10	102	M10
4"	100	254	200	157	31.8	8-Ø22	305	169	324	21	75	F10	102	M10
5"	100	279	235	186	35	8-Ø22	381	224	750	24	89	F12	125	M12
6"	150	318	270	216	36.6	12-Ø22	403	247	750	24	89	F12	125	M12
8"	200	381	330	270	41.3	12-Ø25	502	305	1000	32	100	F12	125	M12

